

zappi single mounting post



Parts List

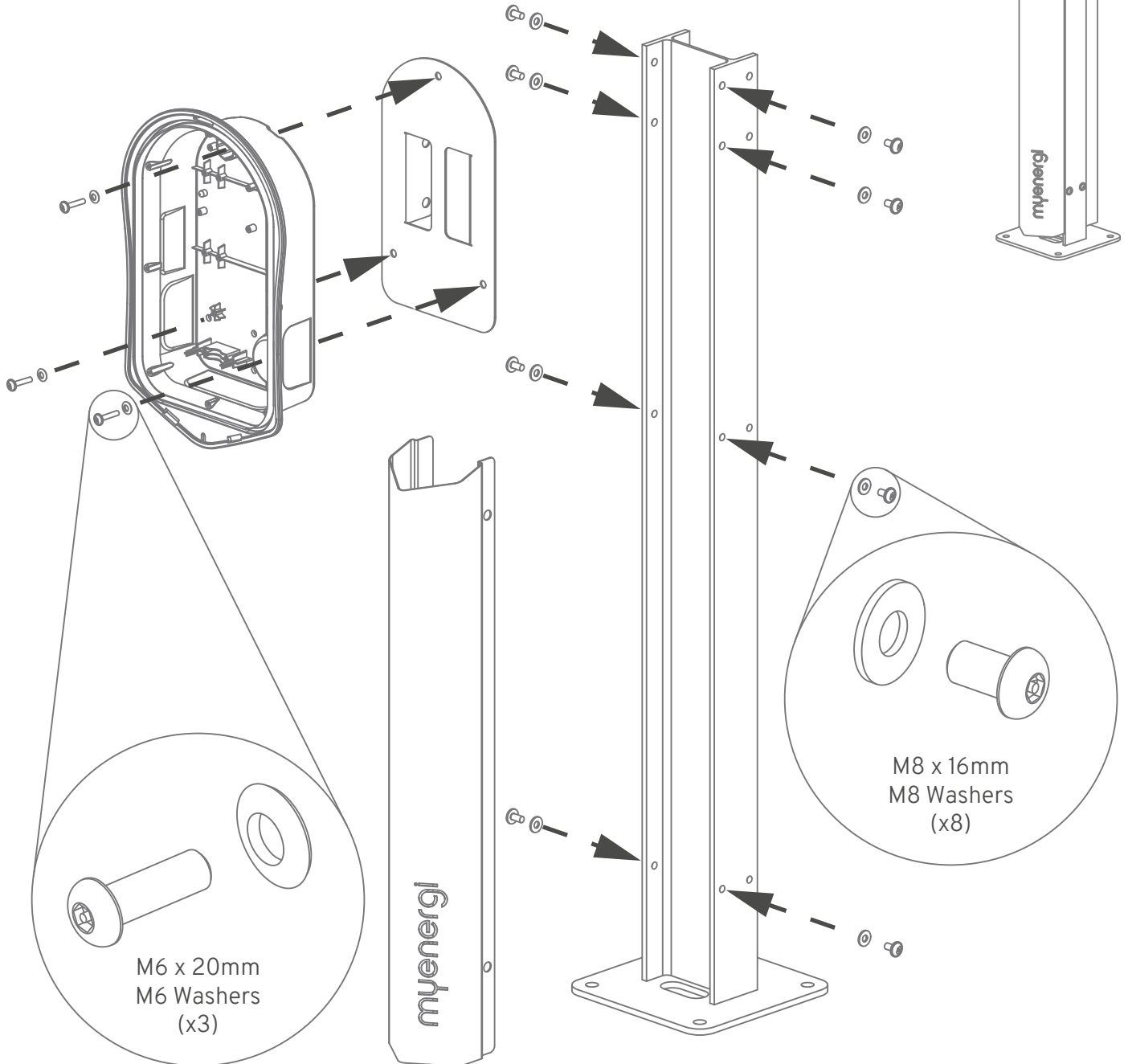
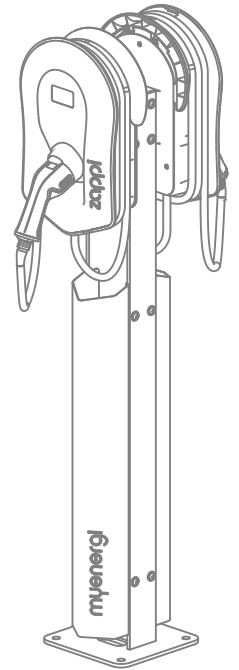
- 1 x Beam and Base
- 1 x White Cable Guard
 - 4 x M8 Security Bolts and 4x washers for fixing Cable Guard to Beam
- 1 x Zappi Mounting Plate
 - 4 x M8 Security Bolts and 4x washers for fixing Mounting Plate to Beam
 - 3 x M6 Allen Bolts for fixing Zappi to Mounting Plate (use washers supplied with Zappi)
- 1 x Security Bit for M8 Security Bolts

CONTACT US:
Church View Business Park,
Binbrook,
Market Rasen,
LN8 6BY

Tech Support Number:
0333 300 1303

myenergi

zappi mounting post



M6 x 20mm
M6 Washers
(x3)

M8 x 16mm
M8 Washers
(x8)

Designed and manufactured in the UK by
myenergi Ltd, Church View Business Park, Binbrook, Lincolnshire, LN8 6BY, UK
T: +44 (0)33-300 1303
E: vibe@myenergi.uk
W: myenergi.com